

600mm dia. Marker Buoy

SL-B600

Sealite have a range of mooring chains & accessories - ask your representative today how we can supply your complete mooring solution

**Optional
Mould-in Graphics
Available**



**Environmentally
Friendly & Recyclable**

Sealite buoy products are made from recyclable materials. As a service to customers, individual components and products at the end of their service life may be returned to Sealite for recycling.

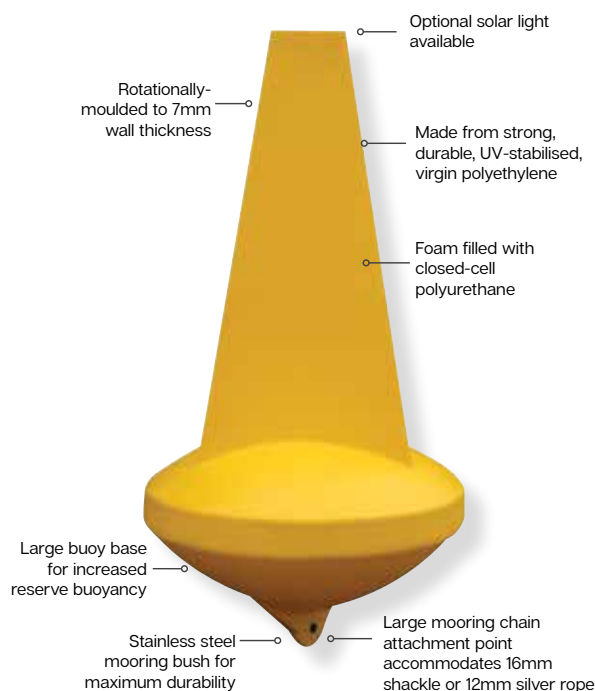
The SL-B600 is a short-range buoy ready for immediate installation. Typical applications include day and night channel, speed zone and restricted area marking.

The SL-B600 is extremely long lasting and is moulded from strong, durable, UV-stabilised polyethylene. The large buoy base enables an even greater mooring load, with reserve buoyancy of 26kg (57lbs).

The stainless steel mooring bush is moulded directly into the buoy during manufacture for superior durability and strength. A large mooring chain attachment point accommodates a 16mm shackle or 12mm silver rope.

The complete assembly is only 18.5kg (41lbs) and is available in standard high visibility Yellow, Green, Red and White.

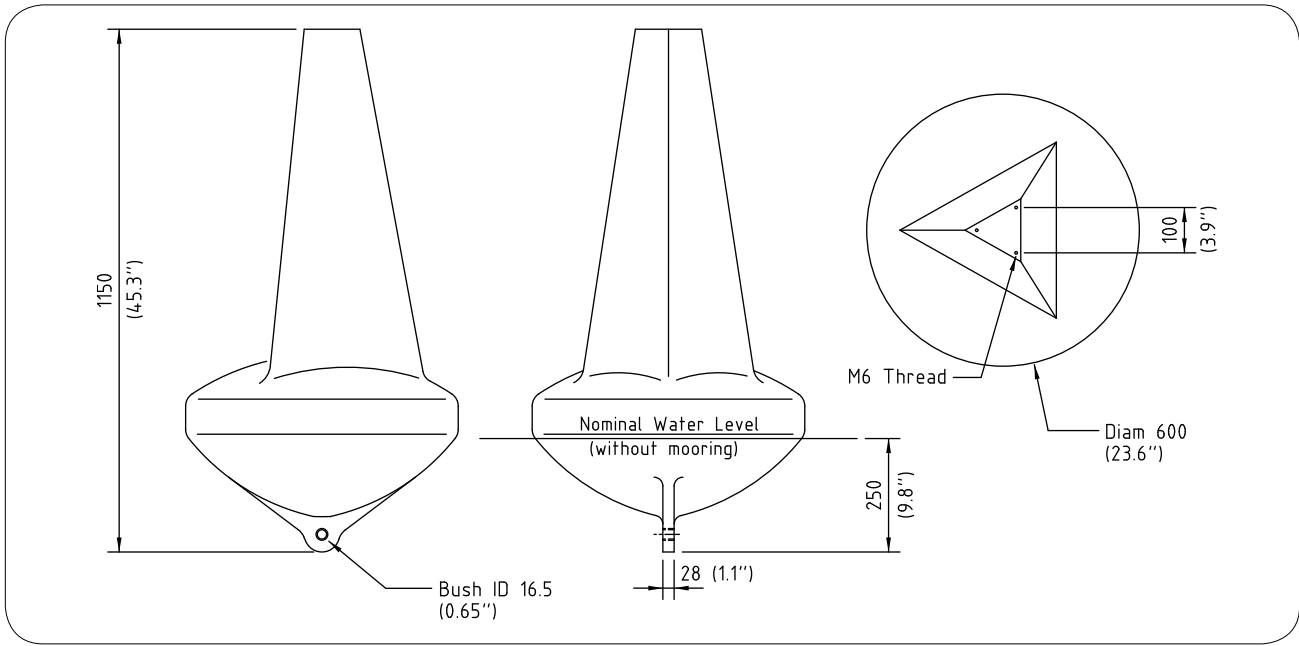
Custom mould-in graphics are also available on request.



The Sealite Advantage

- High visibility red, green, white or yellow as per IALA recommendations
- Range of mooring equipment & chain available
- Excellent buoyancy & stability
- 16mm shackle or 12mm silver rope attachment point
- Mould-in graphics to suit customer requirements

Technical Illustrations



Technical Specifications*

SL-B600	
General Characteristics	
Available Colours	Red, Green, White, Yellow as per IALA Recommendations
Focal Plane Height (mm/inches)	960 / 37 $\frac{3}{4}$
Total Float Volume (Itrs/US gallon)	90 / 24
Nominal Freeboard (mm/inches)	160 / 6 $\frac{1}{2}$
Nominal Draft (mm/inches)	250 / 9 $\frac{1}{2}$
Total Reserve Buoyancy (kgs/lbs)	74 / 163
Operational Buoyancy (kgs/lbs)	26 / 57
Maximum Mooring Load (kgs/lbs)	26 / 57
Draft, Maximum (mm/inches)	335 / 13 $\frac{1}{4}$
Freeboard, Minimum (mm/inches)	70 / 2 $\frac{3}{4}$
Submergence (kg/cm, lb/inches)	2.8 / 15.8
Physical Characteristics	
Material	Rotationally-moulded UV-stabilised virgin polyethylene
Wall Thickness (mm/inches)	7 / $\frac{1}{2}$
Ballast (kg/lbs)	6 / 13 internal concrete
Filling	Closed-cell polyurethane foam
Height (mm/inches)	1150 / 45 $\frac{1}{2}$
Width (mm/inches)	600 / 23 $\frac{5}{8}$
Mass (kg/lbs)	18.5 / 41
Product Life Expectancy	Up to 12 years ^
Certifications	
IALA	Surface colours compliant to IALA E-108
Quality Assurance	ISO9001:2015
Intellectual Property	
Trademarks	SEALITE® is a registered trademark of Sealite Pty Ltd
Warranty *	1 year
Lantern Options	Sealite SL-15, SL-60 or SL-70 lantern
Options Available	<ul style="list-style-type: none"> • Custom signage • Integrated light mount top section (SL-B601)



Range of mould-in graphics such as "5 Knots" available

We believe technology improves navigation™



* Specifications subject to change or variation without notice
 ^ Refer to the Sealite website under the warranty section
 * Subject to standard terms and conditions
 † Intensity setting subject to solar availability

