

1200mm dia. Navigation Buoy

SL-B1200-FW - suited to fast water

Sealite have a range of mooring chains & accessories - ask your representative today how we can supply your complete mooring solution



Environmentally Friendly & Recyclable

Sealite buoy products are made from recyclable materials. As a service to customers, individual components and products at the end of their service life may be returned to Sealite for recycling.

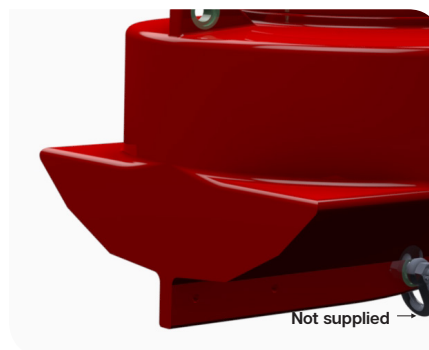
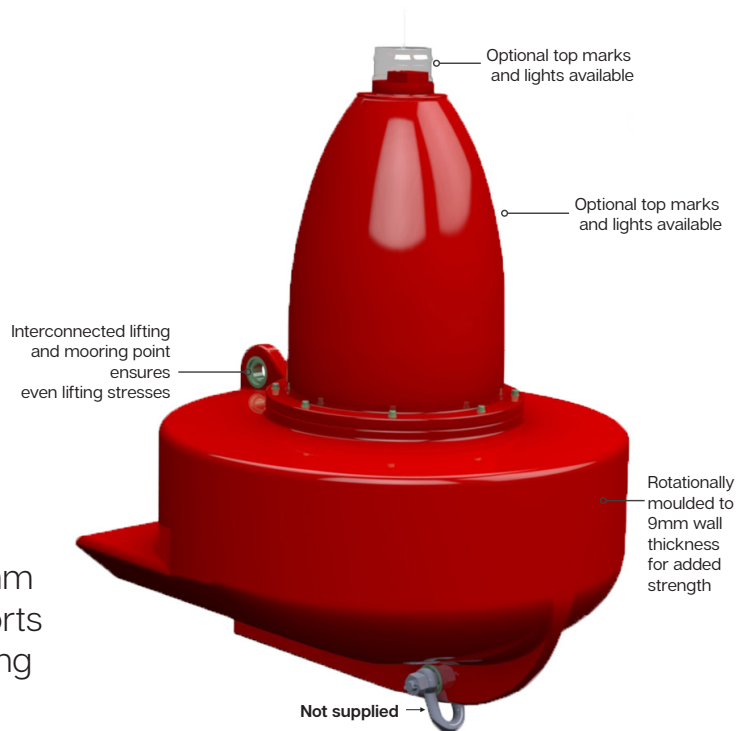
The Sealite SL-B1200-FW is a large 1200mm dia. navigation buoy designed for rivers, ports and harbours and estuaries with fast flowing water current of up to 8 knots.

Designed using a traditional navigation buoy shape above the water line and incorporating the shape of a boat hull on the bottom, the SL-B1200-FW remains extremely stable and buoyant in fast and rough conditions. Its unique design incorporating an integrated bow and keel, allows the SL-B1200-FW to create lift as the water flows underneath it, enabling the buoy to rise and sit higher on the surface of the water creating more stability and allowing it to support a heavier payload.

The single piece float section has an integrated 316-stainless steel tie-bar to provide exceptional strength and safe working load for lifting (one lifting eye) of 2300kgs.

The 1200mm buoy is rotationally moulded from UV-stabilised, virgin polyethylene to 9mm wall thickness to provide additional strength.

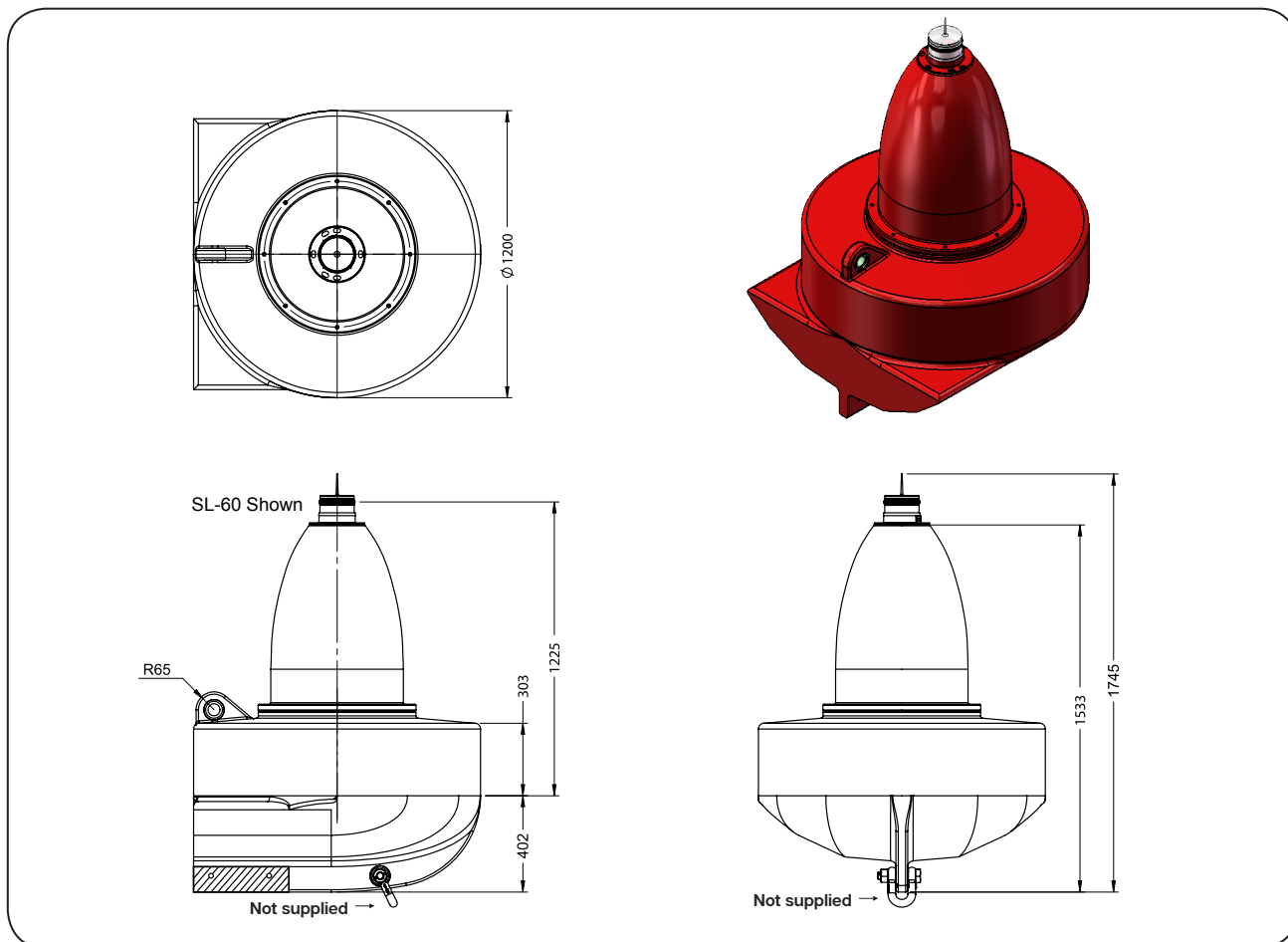
The fast water buoy comes in a range of IALA recommended configurations and colours for excellent visibility and is developed to support a variety of marine lanterns.



The Sealite Advantage

- Single piece float with a 316-grade stainless steel tie-bar integrated to provide outstanding strength
- Unique boat hull design suitable for fast flowing water currents up to 8 knots
- 1200mm diameter shape for excellent visibility and stability
- Complete unit - ready for immediate installation
- High visibility red, green, white or yellow as per IALA recommendations
- Rotationally moulded to 9mm wall thickness for added strength
- Excellent buoyancy

Technical Illustrations



Technical Specifications*

SL-B1200-FW	
General Characteristics	
Available Colours	Red, Green, White, Yellow as per IALA Recommendations
Focal Plane Height (mm/inches)	1225 / 48
Total Float Volume (ltrs/US gallon)	615 / 162.5
Total Reserve Buoyancy (kgs/lbs)	473 / 1043
Operational Buoyancy (kgs/lbs)	78 / 172
Maximum Mooring Load (kgs/lbs)	78 / 172
Draft, Maximum (mm/inches)	402 / 15 ⁵ / ₈
Freeboard, Minimum (mm/inches)	300 / 11.8
Safe Working Load, 1pt (kg/lbs)	2300 / 5070
Physical Characteristics	
Material	Rotationally-moulded UV-stabilised virgin polyethylene
Wall Thickness (mm/inches)	9 / ³ / ₈
Ballast (kg/lbs)	55 / 121.3 (Internal)
Filling	Closed-cell polyurethane foam (float section)
Height (mm/inches)	1745 / 68
Width (mm/inches)	1200 / 47 ¹ / ₄
Mass (kg/lbs)	142 / 313
Product Life Expectancy	Up to 12 years ^
Certifications	
IALA	Surface colours compliant to IALA E-108
Quality Assurance	ISO9001:2015
Intellectual Property	
Trademarks	SEALITE® is a registered trademark of Sealite Pty Ltd
Warranty *	5 year
Lantern Options	Sealite SL-15, SL-60, SL-70, SL-75 lantern
Options Available	• Custom signage



We believe technology improves navigation™

