

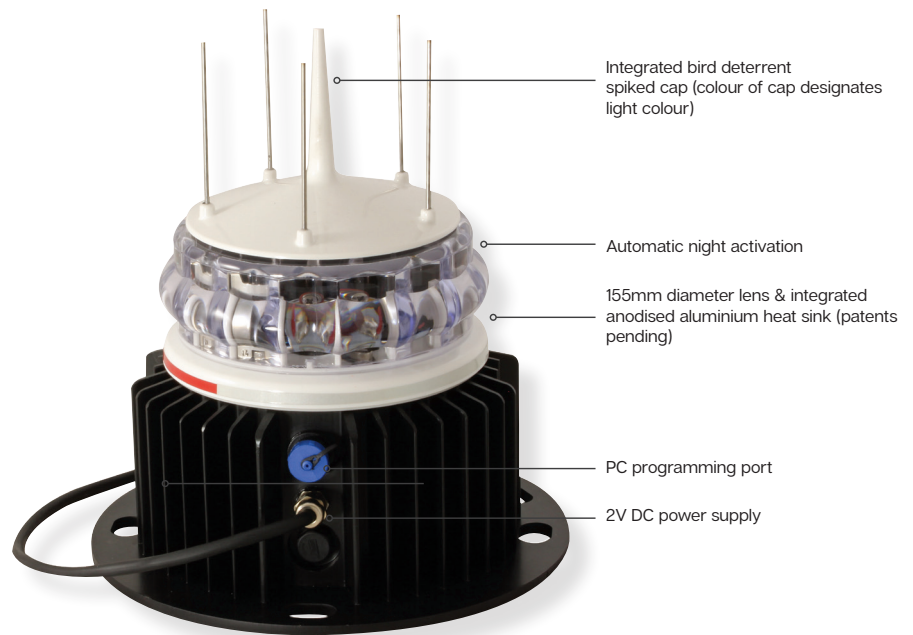
# 4–9NM+ Non-Precision Sector Lantern

APOLLO Series – SL-155-NPS



**Optional**

- GSM Monitoring
- RS232/422/485 Port
- AIS



Sealite's APOLLO SL-155-NPS non-precision sector lantern is adjustable from 4–9NM+ and has been designed to suit a range of applications.

The distinctive lens of the SL-155-NPS has 16 optical elements controlling the light emissions for the LED in a two-dimensional manner; completely unique to the industry.

The optic facilitates internal sectoring across a broad range of output requirements.

### Optional AIS Remote Monitoring

The SL-155-NPS can be supplied with AIS integration enabling remote monitoring of the lantern as well as crucial message 21 information to be broadcast to mariners within the region.

### Optional GSM Monitoring & Control

The SL-155-NPS lantern may also be fitted with a GSM Cell-Phone Monitoring and Control System – enabling users to access real-time diagnostics data and change lantern settings via cell-phone. The system can also be configured to send out alarm SMS text messages to designated cellular telephone numbers. Users can also have alarms and reports sent to designated email addresses.



### ✓ Reliable

- Internal light sectoring
- Range adjustable in excess of 9NM
- 155mm diameter lens
- Independent control of individual LEDs
- Multiple intensity settings
- Automatic effective intensity correction
- User programmed custom flash settings
- Advanced thermal management
- IP68 waterproof
- Optional solar powered configurations available



Maritim Consult  
+45 87451122

Web  
www.maritimconsult.dk

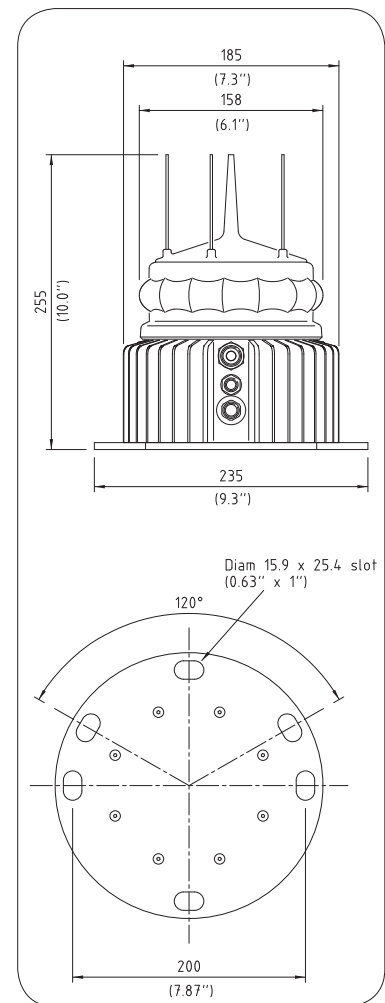
Mail  
mc@maritimconsult.com

Address  
True Møllevej 11  
DK-8381 Tilst

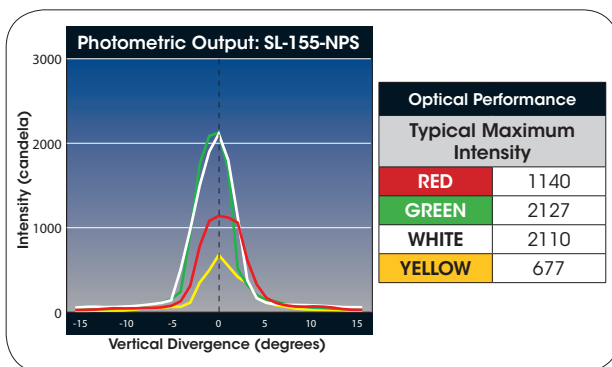
## Technical Specifications\*

## Technical Illustration

APOLLO Series		SL-155-NPS
<b>Light Characteristics</b>		
Light Source	16 ultra bright LEDs	
Available Colours	Red, Green, White, Yellow, Blue	
Typical intensity at maximum wattage (cd)**	Red - 1140 Green - 2127 White - 2110 Yellow - 677	
Visible Range (NM)	AT @ 0.74: 4-9+ AT @ 0.85: 4.8-12.5+	
Horizontal Output (degrees)	0 - 360	
Vertical Divergence (degrees)	5	
Available Flash Characteristics	Up to 256 IALA recommended (PC programmed)	
Intensity Adjustments	32 levels (PC programmed)	
LED Life Expectancy (hours)	>100,000	
<b>Electrical Characteristics</b>		
Current Draw (mA)	Refer to Sealite Power Calculator	
Circuit Protection	Polarity protected	
Nominal Voltage (V)	12VDC only	
Temperature Range	-40 to 80°C	
<b>Physical Characteristics</b>		
Body Material	Anodised 6060 Series Aluminium	
Lens Material	LEXAN® Polycarbonate – UV-stabilised	
Lens Diameter (mm/inches)	155 / 6 1/8"	
Lens Design	Sealite 16 segment, multi-focus LED lens (patents pending)	
Mounting	3 & 4 hole 200mm bolt pattern	
Height (mm/inches)	255 / 10"	
Width (mm/inches)	235 / 9 1/4"	
Mass (kg/lbs)	3.8 / 8 1/2"	
Product Life Expectancy	Up to 12 years	
<b>Certifications</b>		
CE	M091133	
IALA	Signal colours compliant to IALA E-200-1	
Quality Assurance	ISO9001:2015	
Waterproof	IP68	
<b>Intellectual Property</b>		
Patents	Australian Provisional Patent 1004289015	
Trademarks	SEALITE® is a registered trademark of Sealite Pty Ltd	
Warranty *	3 years	
Options Available	<ul style="list-style-type: none"> <li>• GSM Monitoring &amp; Control System (external)</li> <li>• AIS Remote Monitoring</li> <li>• Variety of solar/battery configurations</li> <li>• RS232/422/485 Port</li> </ul>	



## Photometric Output



We believe technology improves navigation™



Maritim Consult

+45 87451122

Web

www.maritimconsult.dk

Mail

mc@maritimconsult.com

Address

True Møllevej 11  
DK-8381 Tilst