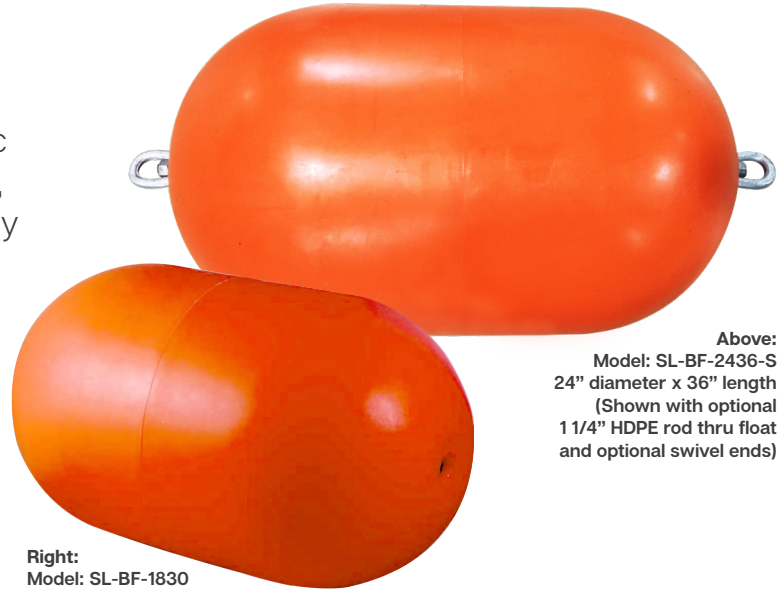


Barrier Floats

15" Round, 18" x 30" Oval, 24" x 36" Oval



Sealite's Barrier Floats provide a reliable marking solution to restrict boating traffic from dangerous areas, such as spillways, dams, swim areas, and other exclusionary zones. They are manufactured using strong, UV stabilized low density polyethylene (LDPE) which delivers a highly functional, durable product. Sealite's patented rotational molding process delivers a seamless, single piece design for longevity and performance.



Above:
Model: SL-BF-2436-S
24" diameter x 36" length
(Shown with optional
1 1/4" HDPE rod thru float
and optional swivel ends)

Right:
Model: SL-BF-1830
18" diameter x 30" length

All three models are designed with a molded-in, 1 1/4" HDPE pipe across the diameter, and are offered with optional swivel ends.

Three sizes are available: 15-inch round, 18 x 30 inch oval, and 24 x 36 inch oval.

Optional accessories include:

- Swivel ends
- Alternative colors (yellow, white, red, green)
- Bands of USCG approved retroreflective tape



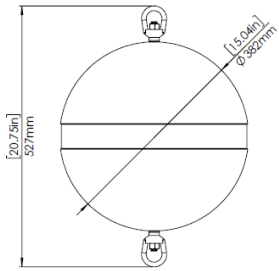
Above:
Model: SL-BF-15-S
15" diameter round
(Shown with optional 1 1/4" HDPE
rod thru float and 3/8" swivel ends)

Specifications	SL-BF-15-XX	SL-BF-1830-X	SL-BF-2436-X
Total Float Volume (gal/ltr)	7.5 (29)	26.5 (100)	56.5 (21.4)
Total Reserve Buoyancy (lb/kg)	53 (24)	174 (79)	370 (168)
Wall Thickness (in/mm)	0.2 (5)	0.2 (5)	0.2 (5)
Length (in/mm)	15 (382)	30 (762)	36 (914)
Diameter (in/mm)	15 (382)	18 (457)	24 (610)
Weight (lb/kg)	10 (4.5)	21 (9.5)	39 (17.5)
Swivel Ends (optional)	XX = S (Swivel at both end) XX = BE (Pipe thru swivel at Bottom Eye only)	X = Swivel Ends	X = Swivel Ends

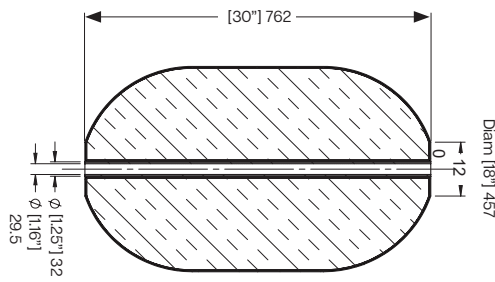
Technical Specifications

Barrier Floats

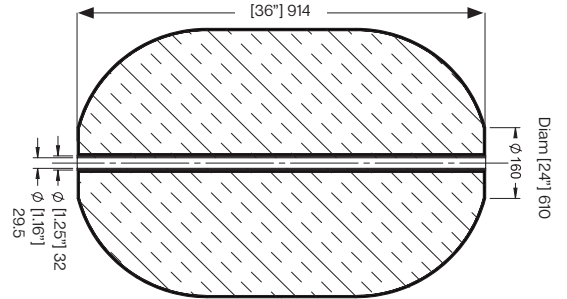
15" Diameter
Model: SL-BF-15-S
(Shown with optional swivel ends)



18" Diameter x 30" Length
Model: SL-BF-1830



24" Diameter x 36" Length
Model: SL-BF-2436



Model Number	Float Style	Description
SL-BF-15		1 1/4" diameter HDPE pipe thru float molded in
SL-BF-15-S		1 1/4" diameter HDPE pipe thru float molded in with 3/8" swivels each end
SL-BF-15-BE		1 1/4" diameter HDPE pipe thru float molded in with 3/8" swivel one end
SL-BF-1830		1 1/4" HDPE pipe thru float molded in
SL-BF-1830-S		1 1/4" HDPE pipe thru float molded in with swivels both ends
SL-BF-2436		1 1/4" HDPE pipe molded in
SL-BF-2436-S		1 1/4" HDPE pipe molded in with swivels both ends

Specifications subject to change or variation without notice. Subject to standard terms and conditions

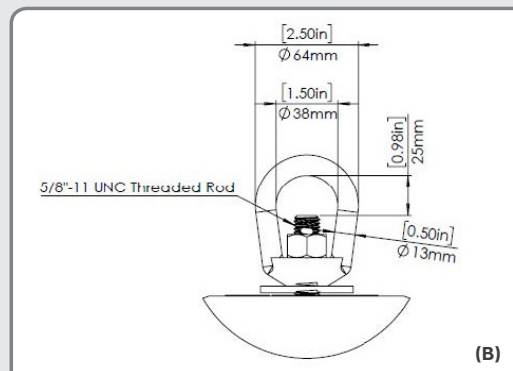
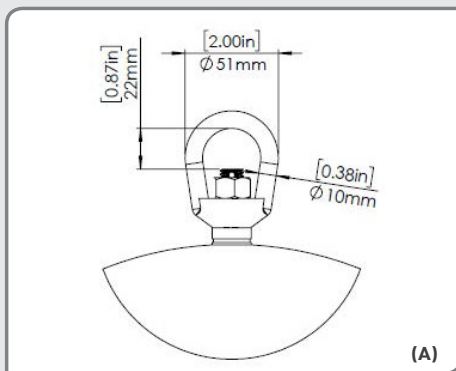


Illustration (A)
Shackle End Dimensions for
15" Barrier Float (SL-BF-15-S)

Illustration (B)
Shackle End Dimensions for
18"D x 30"L & 24"D x 36"L Barrier Floats
(SL-BF-1830-S & SL-BF-2436-S)

Order Sealite's cable and mooring equipment to complete your order!

We believe technology improves navigation™

SL-SU-025-A



Maritim Consult
+45 87451122

Web
www.maritimconsult.dk

Mail
mc@maritimconsult.com

Address
True Møllevvej 11
DK-8381 Tilst