

Bridge Light

SL-BR Series



Optional



GPS Sync



GSM Monitoring

This equipment complies with requirements of the U.S. Coast Guard in 33 CFR part 118



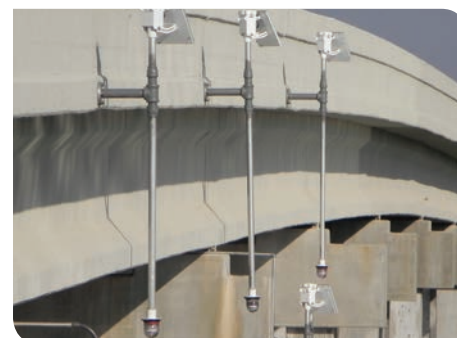
The SL-BR Series are an LED Bridge Light specifically designed to clearly mark bridges and structures extending over navigable waterways and is used extensively throughout the USA. The SL-BR Series has been designed to offer superior visibility with up to 4NM visible range, and operates in conjunction with existing power supplies.

The light is available as a 180° sectored red model or 360° green model and comes fixed-on as standard. The fixtures are also available with a range of factory-set flash characteristics and sectoring requirements to suit local regulations.

The light is available in two configurations, nominal 12VDC or universal AC (110-240VAC).

The SL-BR series can also be supplied as a complete solar/battery system to comply with requirements of regional governing bodies such as the U.S. Coast Guard, or the IALA Recommendations for the marking of fixed bridges over navigable waters.

Sealite has a range of other short, medium and long range marine lanterns that may also be used to comply with bridge lighting requirements.



SL-155 180° model for bridge fenders & abutments



SL-155 Series bridge lights



Sectored Bridge Light



Optional solar/battery systems and optional mounting accessories are available

✓ Advantage

- Up to 4NM visible range
- Able to operate in conjunction with existing power supplies

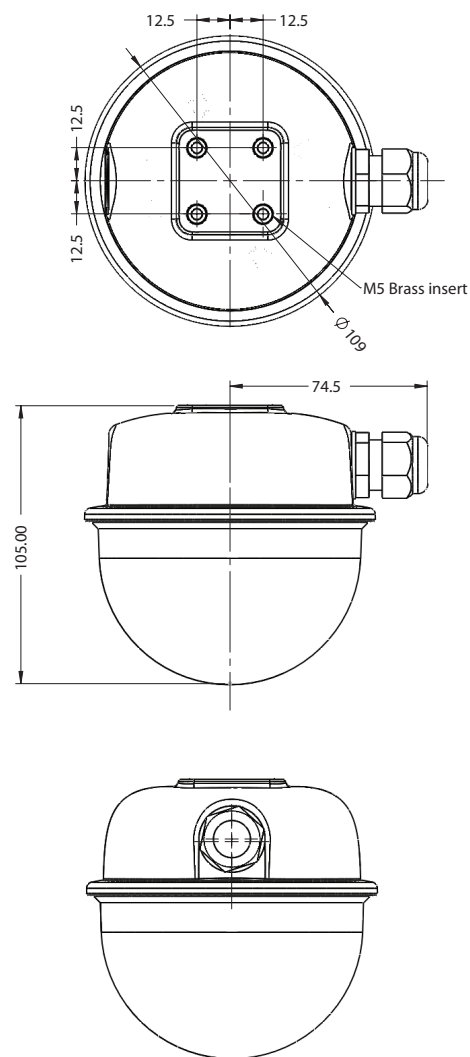
📦 Optional Add Ons

- Solar/battery systems available
- Universal AC: will accept between 110-240VAC
- Mounting accessories

Technical Specifications **

	SL-BR Series (2NM)	SL-BR4 Series (4NM)
Light Characteristics		
Light Source	LED	LED
Available Colours	Red, Green, other colours available on request	Red, Green, other colours available on request
Visible Range (NM)	AT @ 0.74: 2 (nominal) AT @ 0.85: 2.3	AT @ 0.74: 4 (nominal) AT @ 0.85: 4.6
Horizontal Output (degrees)	360 or 180	360 or 180
Vertical Divergence (degrees)	9	9
Available Flash Characteristics	Steady-on (standard). Other factory set flash patterns available on request	Steady-on (standard). Other factory set flash patterns available on request
LED Life Expectancy (hours)	>100,000	>100,000
Electrical Characteristics		
Current Draw (mA)	VDC Model: 40 @ 12 VDC	VDC Model: 80 @ 12 VDC
Circuit Protection	Integrated	Integrated
Nominal Voltage (V)	VDC Model: 12–48 VDC VAC Model: 110–240 VAC	VDC Model: 12–48 VDC VAC Model: 110–240 VAC
Temperature Range	-40 to 80°C	-40 to 80°C
Physical Characteristics		
Body Material	LEXAN® Polycarbonate – UV-stabilised	LEXAN® Polycarbonate – UV-stabilised
Lens Material	LEXAN® Polycarbonate – UV-stabilised	LEXAN® Polycarbonate – UV-stabilised
Lens Diameter (mm/inches)	107 / 4¼	107 / 4¼
Lens Design	LED optic	LED optic
Mounting	50mm OD pole	50mm OD pole
Height (mm/inches)	105 / 4	105 / 4
Width (mm/inches)	109 / 4¼	109 / 4¼
Mass (kg/lbs)	1.2 / 2½	1.2 / 2½
Product Life Expectancy	Up to 12 years ^	Up to 12 years ^
Certifications		
CE	EN61000-6-3:2007. EN61000-6-1:2007	EN61000-6-3:2007. EN61000-6-1:2007
IALA	Signal colours compliant to IALA E-200-1	Signal colours compliant to IALA E-200-1
USCG	33 CFR Part 118	33 CFR Part 118
Quality Assurance	ISO 9001:2015	ISO 9001:2015
Waterproof	IP67	IP67
Intellectual Property		
Patents	US Pat. No. 6,667,582. AU Pat. No. 778,918	US Pat. No. 6,667,582. AU Pat. No. 778,918
Trademarks	SEALITE® is a registered trademark of Sealite Pty Ltd	SEALITE® is a registered trademark of Sealite Pty Ltd
Warranty *	3 years	3 years
Options Available	<ul style="list-style-type: none"> • Mounting assemblies • Solar/battery systems • Light sectoring • Additional cable • GPS Synchronisation (DC Model) • GSM Monitoring and Control System (DC Model) 	<ul style="list-style-type: none"> • Mounting assemblies • Solar/battery systems • Light sectoring • Additional cable • GPS Synchronisation (DC Model) • GSM Monitoring and Control System (DC Model)

Technical Illustration



Power Current in Electrical Circuit (VA)

Bridge Light Colour	VA
White	6.2
Green	6.9
Red	7.8

We believe technology improves navigation™



Maritim Consult

+45 87451122

Web

www.maritimconsult.dk

Mail

mc@maritimconsult.com

Address

True Møllevej 11
DK-8381 Tilst

